

GREENMAN

ZERO-TURN MOWER

PARTS MANUAL

500SERIES

MODELS:GMZT52C/60C



The logo for Sabre Italia features a stylized red graphic of a leaf or blade above the text "SABRE ITALIA" in a bold, red, sans-serif font. Below the text is the tagline "Attrezzati per natura" in a smaller, red, sans-serif font. The entire logo is framed by two horizontal red lines, one above and one below the text.

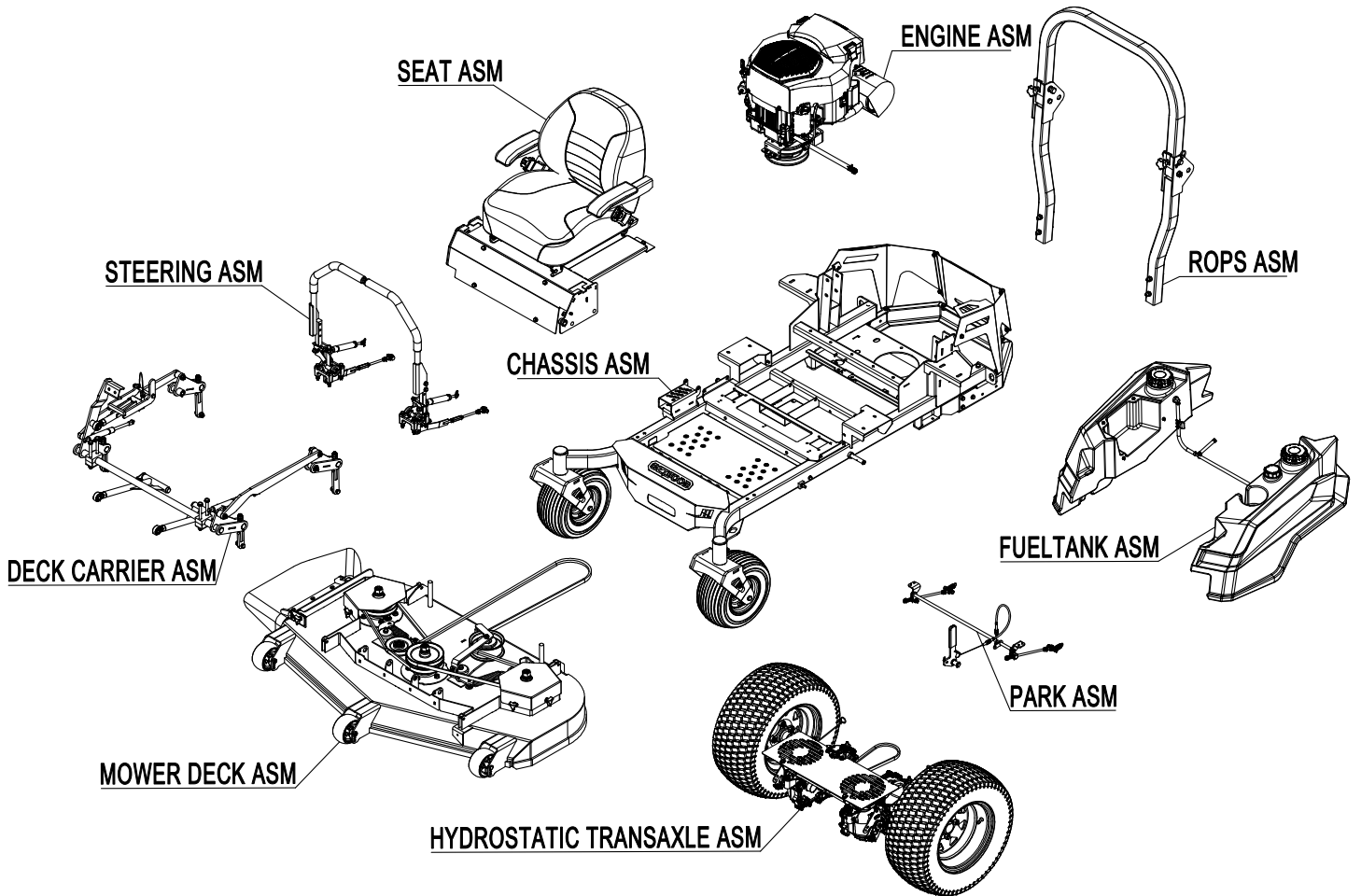
SABRE ITALIA
Attrezzati per natura

Jun. 25, 2022

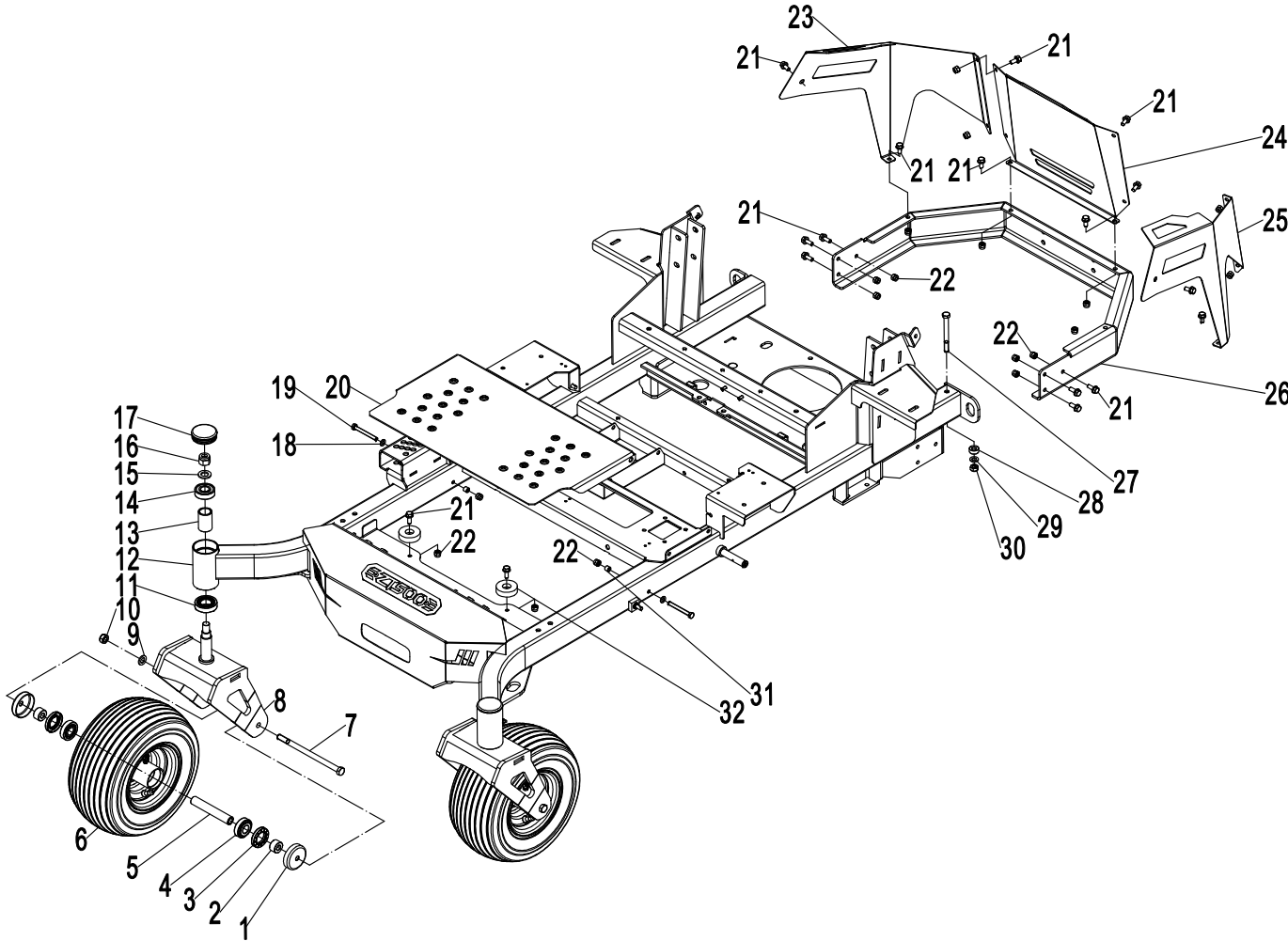
CONTENTS

MOWER ASSEMBLY.....	- 1 -
CHASSIS ASSEMBLY.....	- 2 -
HYDROSTATIC TRANSAXLE/WHEEL ASSEMBLY.....	- 4 -
STEERING ASSEMBLY.....	- 6 -
PARKING BRAKE ASSEMBLY.....	- 8 -
DECK CARRIER ASSEMBLY.....	- 10 -
SEAT ASSEMBLY.....	- 12 -
ENGINE ASSEMBLY.....	- 14 -
FUEL ASSEMBLY.....	- 16 -
52" & 60" MOWER DECKS ASSEMBLY.....	- 18 -
ELECTRICAL ASSEMBLY.....	- 21 -
ROPS ASSEMBLY.....	- 23 -
SUN SHADE.....	- 25 -
ELECTRICAL DIAGRAM.....	- 26 -

MOWER ASSEMBLY



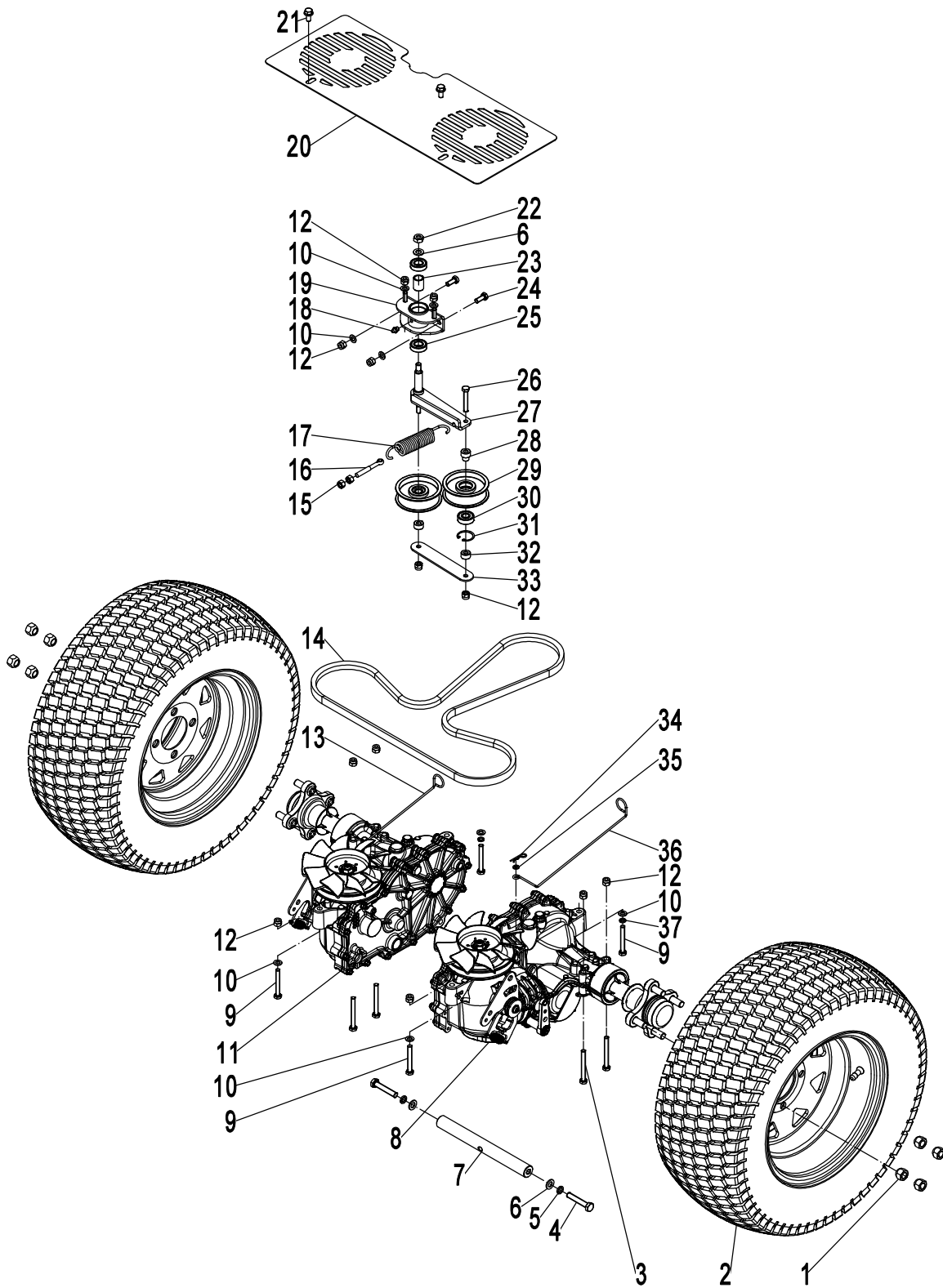
CHASSIS ASSEMBLY



CHASSIS ASSEMBLY

Item No.	Part No.	Name	Description	Qty.	Others
1	4065160	Bearing Dust Cap		4	
2	7083520	Spacer		4	
3	7075009	Skeleton Grease Seal	30×50×8	4	
4	7061233	Tapered Roller Bearing	30204	4	
5	7083510	Bearing Spacer		2	
6	8032430	Caster Wheel	13×6.5-6	2	
7	7011288	Hex Bolt	M12×200	2	
8	4219841	Caster Wheel Fork		2	
9	7031201	Washer	Φ12	2	
10	7021252	Lock Nut	M12	2	
11	7061234	Tapered Roller Bearing	30205	2	
12	4039600	Chassis		1	
13	7085360	Spacer		2	
14	7060424	Deep Groove Ball Bearing	6204	2	
15	7031602	Washer	Φ16	2	
16	7021640	Lock Nut	M16	2	
17	2131950	Dust Cap		2	
18	7083590	Washer	Φ8	2	
19	7010880	Hex Bolt	M8×70	2	
20	4018860	Tread Footrest		1	
21	7010820	Hex Flange Bolt	M8×20	18	
22	7020803	Lock Nut	M8	20	
23	4063145	Right Rear Shield		1	
24	4063165	Shield/Rear		1	
25	4063175	Left Rear Shield		1	
26	4063135	Shield/Rear		1	
27	7011151	Hex Bolt	M10×100	2	
28	7085450	Spacer		2	
29	7031009	Washer	Φ10	2	
30	7021013	Lock Nut	M10	2	
31	7083590	Spacer		2	
32	5040940	Seat Isolator		2	

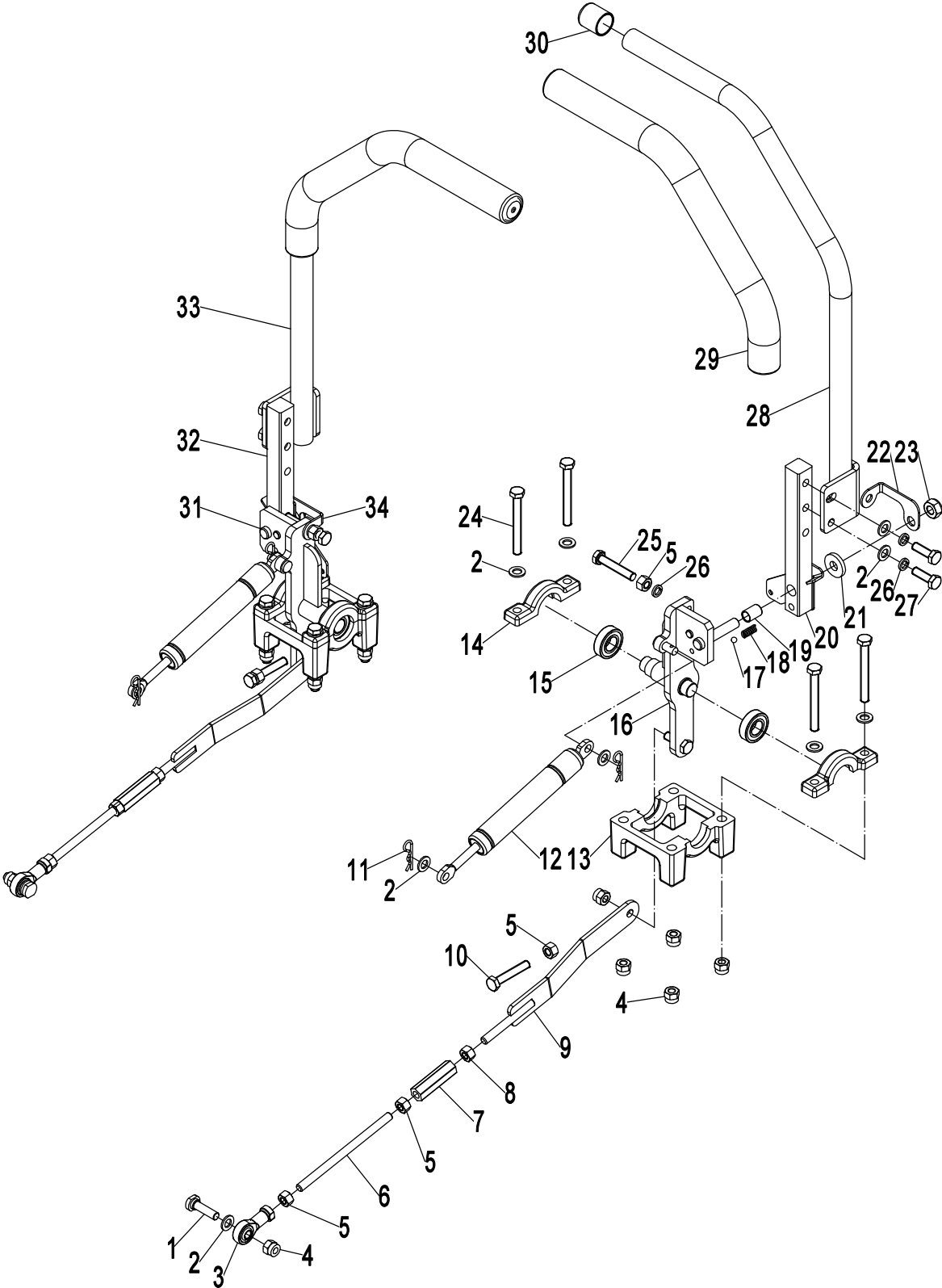
HYDROSTATIC TRANSAXLE/WHEEL ASSEMBLY



HYDROSTATIC TRANSAXLE/WHEEL ASSEMBLY

Item No.	Part No.	Name	Description	Qty.	Others
1	7010072A	Inch Wheel Hub Nut	1/2-20 UNF-2B	8	
2	8032420	Tire		2	
3	7010880	Hex Bolt	M8×70	4	
4	7011040	Hex Bolt	M10×55	2	
5	7041002	Lock Washer	Φ10	2	
6	7031009	Washer	Φ10	3	
7	4039495	Transaxle Spacer		1	
8	ZZ-KHEE-SKLC -33TX	Hydrostatic Transaxle , Lt	ZT-3800	1	
9	7010829	Hex Bolt	M8×60	4	
10	7030819	Washer	Φ8	10	
11	ZZ-GHEE-SKLB -23TX	Hydrostatic Transaxle , Rt	ZT-3800	1	
12	7020821	Lock Nut	M8	12	
13	4045980	Right tendril		1	
14	1051073	B73 Belt		1	
15	7020819	Hex Flange Nut	M8	2	
16	7290802	Joint Bolt	M8×50	1	
17	7059600	Idler Pulley Spring		1	
18	7320020	Grease Zerk	M8×1	1	
19	4018805	Bearing seat welding		1	
20	4063095	Transaxle/Shield Panel		1	
21	7010894	Hex Flange Bolt	M8×16	2	
22	7021013	Lock Nut	M10	1	
23	7085400	Spacer		1	
24	7010888	Hex Bolt	M8×20	2	
25	7060019	Deep groove ball bearing	6002	2	
26	7010822	Hex Bolt	M8×50	1	
27	4018790	Welding of tension swing Rod		1	
28	7085410	Spacer		1	
29	1047125	Idler Pulley		2	
30	7060102	Deep groove ball bearing	6201	2	
31	7143201	Ring, Retaining Internal	Φ32	2	
32	7085390	Spacer		2	
33	4124435	Drive Belt stripper		1	
34	7130202	pin		2	
35	7030602	Washer	Φ6	2	
36	4045990	Left tendril			
37	7040802	Lock Washer	Φ8	2	

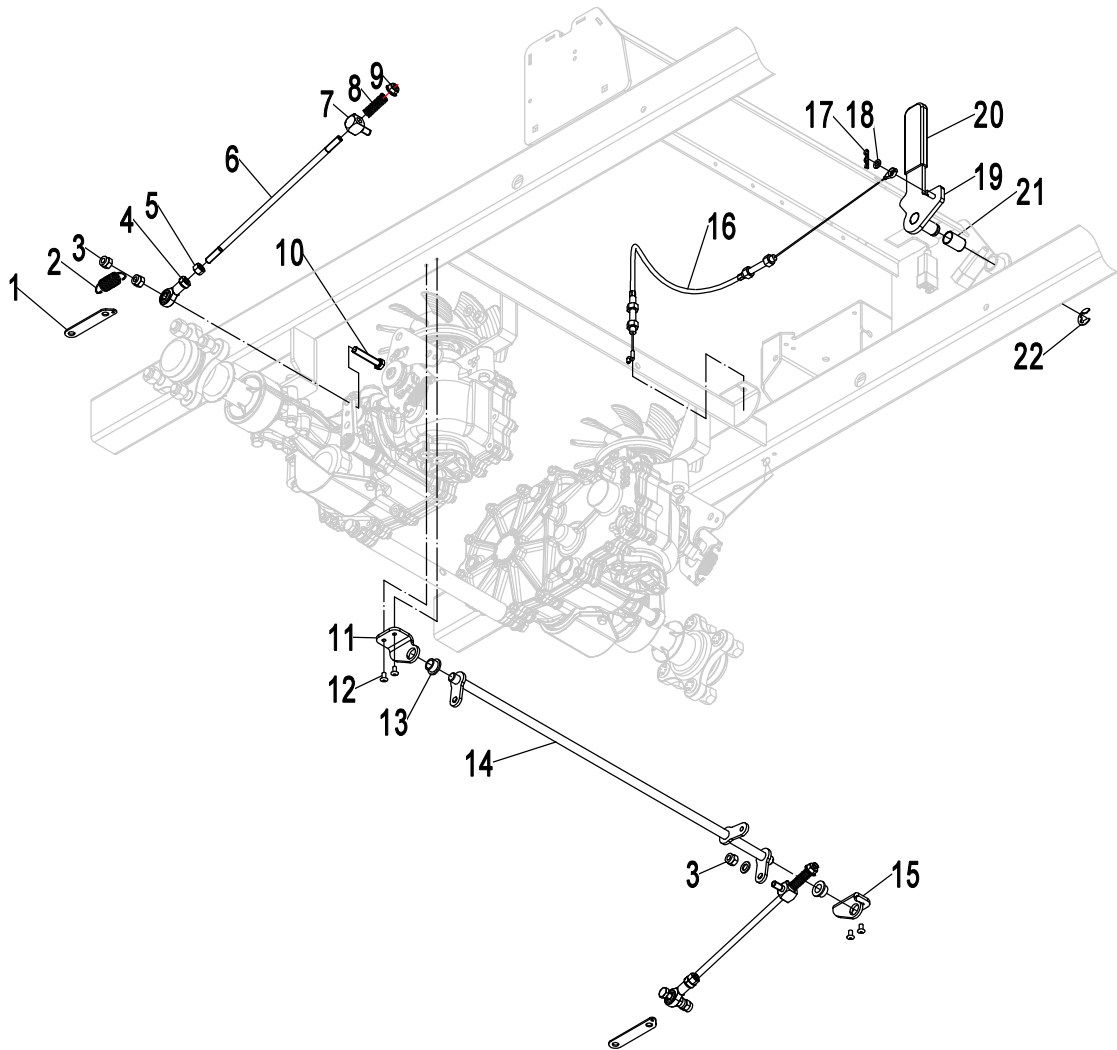
STEERING ASSEMBLY



STEERING ASSEMBLY

Item No.	Part No.	Name	Description	Oty.	Others
1	7181630	Bolt joint	M8	2	
2	7030819	Washer	Φ8	14	
3	7121004	Joint Bearing RH/Rod End	M8	2	
4	7020821	Hex Lock Nut	M8	14	
5	7020804	Hex Nut	M8	8	
6	7292008	Straight draw bar		2	
7	7292009	Rotary casing		2	
8	7020860	Hex Nut	M8-L	2	
9	4022000	Welding of bending tie Rod		2	
10	7010826	Hex Bolt	M8×45	2	
11	7130208	R Pin		4	
12	2020450	Damper		2	
13	4133431	Bearing Pedestal		2	
14	4163010	Bearing Cap		4	
15	7060014	Bearing	6002-2RS	4	
16	4269820	Motion Pivot/RH		1	
17	5060601	Steel Ball	6	2	
18	7057560	Operating Stop Spring		2	
19	7083810	Bearing w/Flange		2	
20	4301240	Control Arm /RH		1	
21	7083540	Plastic Washer		2	
22	4165750	Lock Washer /RH		1	
23	7021013	Hex Lock Nut	M10	2	
24	7010880	Hex Bolt	M8×70	8	
25	7010844	Hex Bolt	M8×50	2	
26	7040802	Lock Washer	Φ8	6	
27	7010821	Hex Bolt	M8×25	4	
28	4018850	Steering Handle RH		1	
29	5013320	Handle Grip- Foam		2	
30	2132050	Vinyl Cap		2	
31	4269810	Motion Pivot/LH		1	
32	4301230	Control Arm /LH		1	
33	4018840	Steering Handle LH		1	
34	4165740	Lock Washer /LH		1	

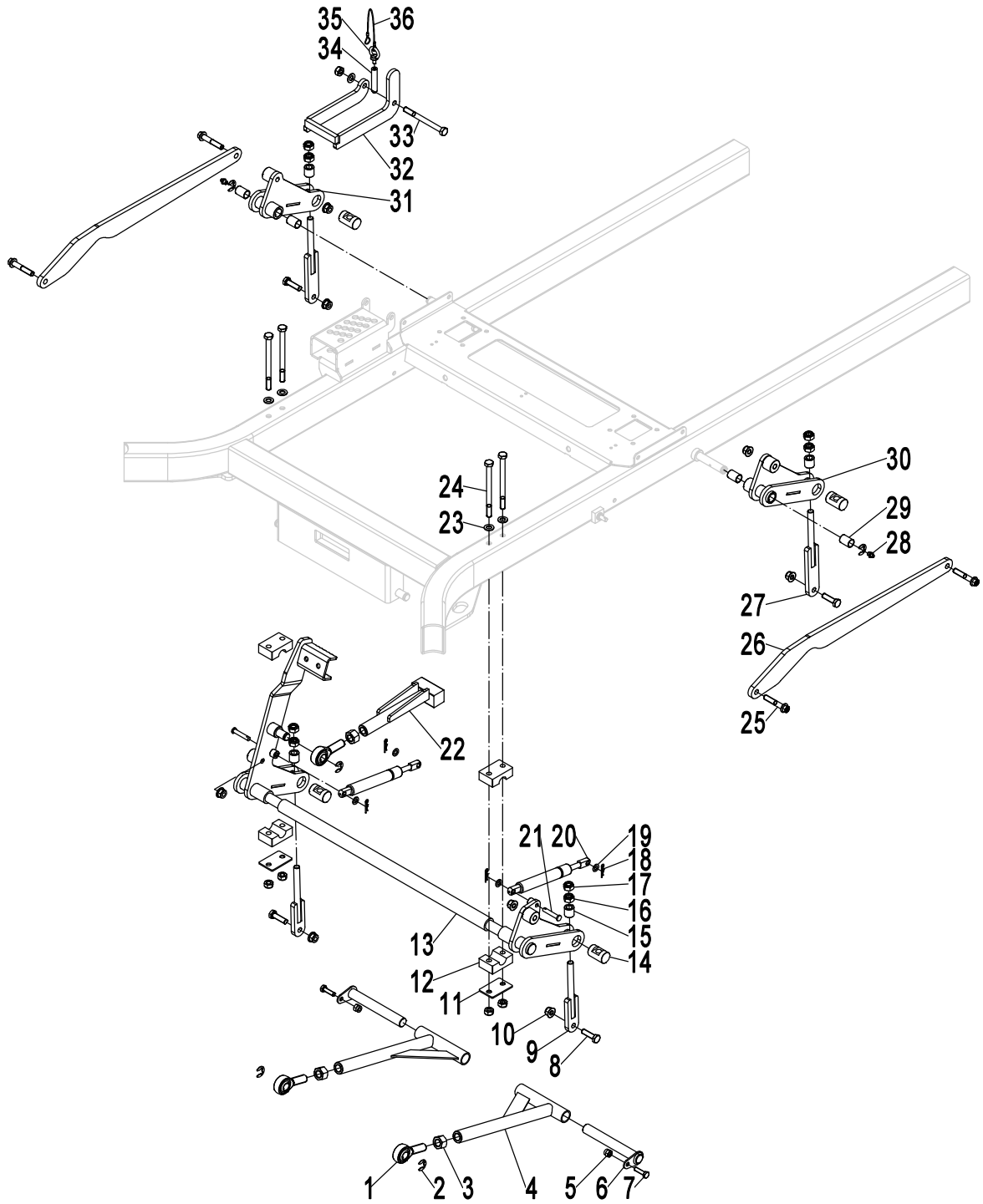
PARKING BRAKE ASSEMBLY



PARKING BRAKE ASSEMBLY

Item No.	Part No.	Name	Description	Qty.	Others
1	4022010	Washer		2	
2	7051511	Spring		2	
3	7020803	Hex Lock Nut	M8	5	
4	7121004	Joint Bearing RH/Rod End	M8	2	
5	7020804	Hex Nut	M8	2	
6	4022020	Straight draw bar		2	
7	4022030	Joint, Swivel		2	
8	7050101	Spring		2	
9	7020830	Hex Flange Lock Bolt	M8	2	
10	7010826	Hex Bolt	M8×45	2	
11	4138900	Bracket,RH		1	
12	7030413	Rivet	4.8×12	4	
13	7120200	Bearing		2	
14	4022040	Brake Linkage Weldment		1	
15	4138910	Bracket,LH		1	
16	5073160	Brake Cable		1	
17	7130202	R Pin		1	
18	7030602	Washer	Φ6	1	
19	4046110	Brake Handle		1	
20	4042595	Grip, Brake Handle		1	
21	7121800	Self-lubricating bearing		1	
22	7141203	Snap Ring	Φ12	1	

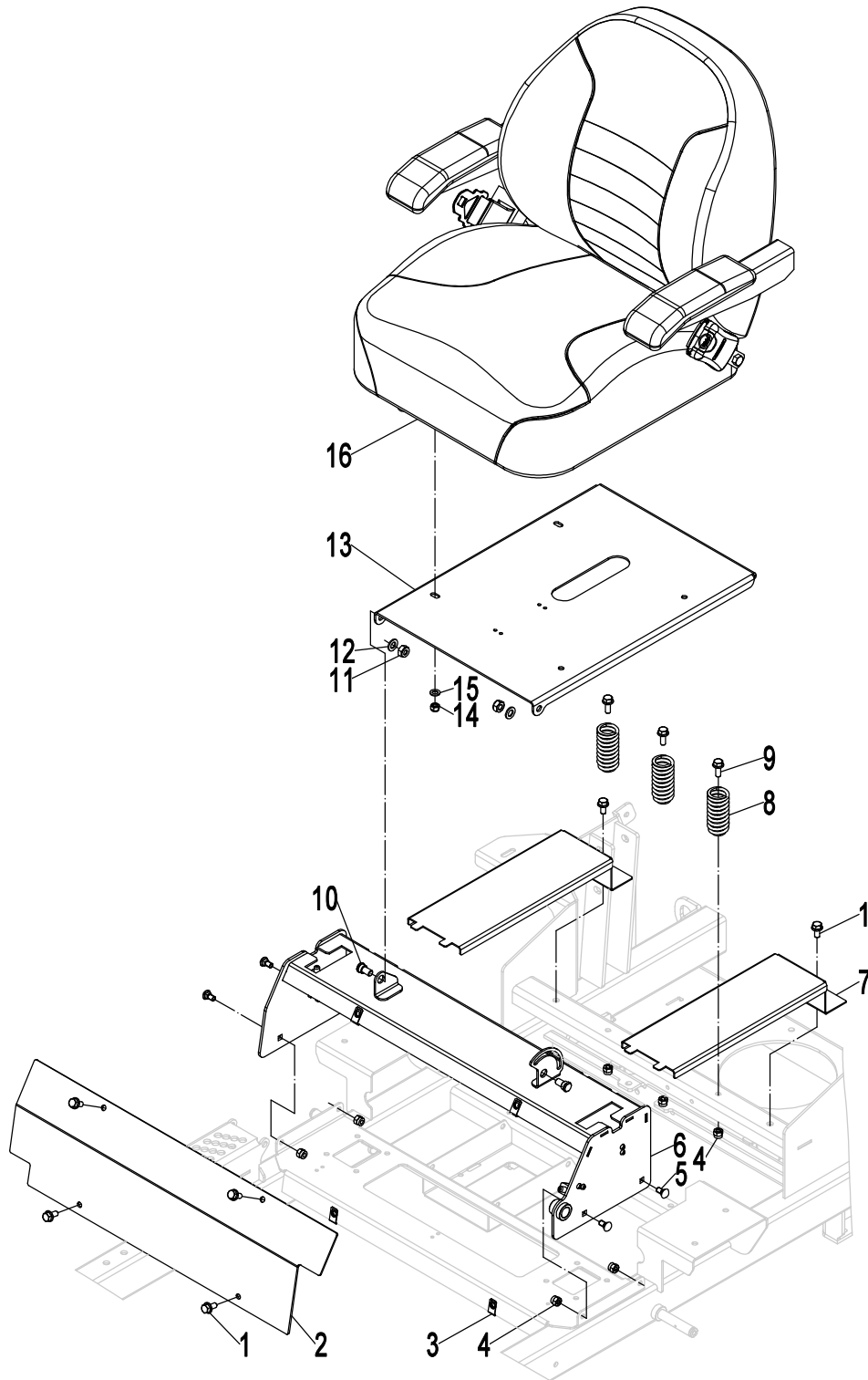
DECK CARRIER ASSEMBLY



DECK CARRIER ASSEMBLY

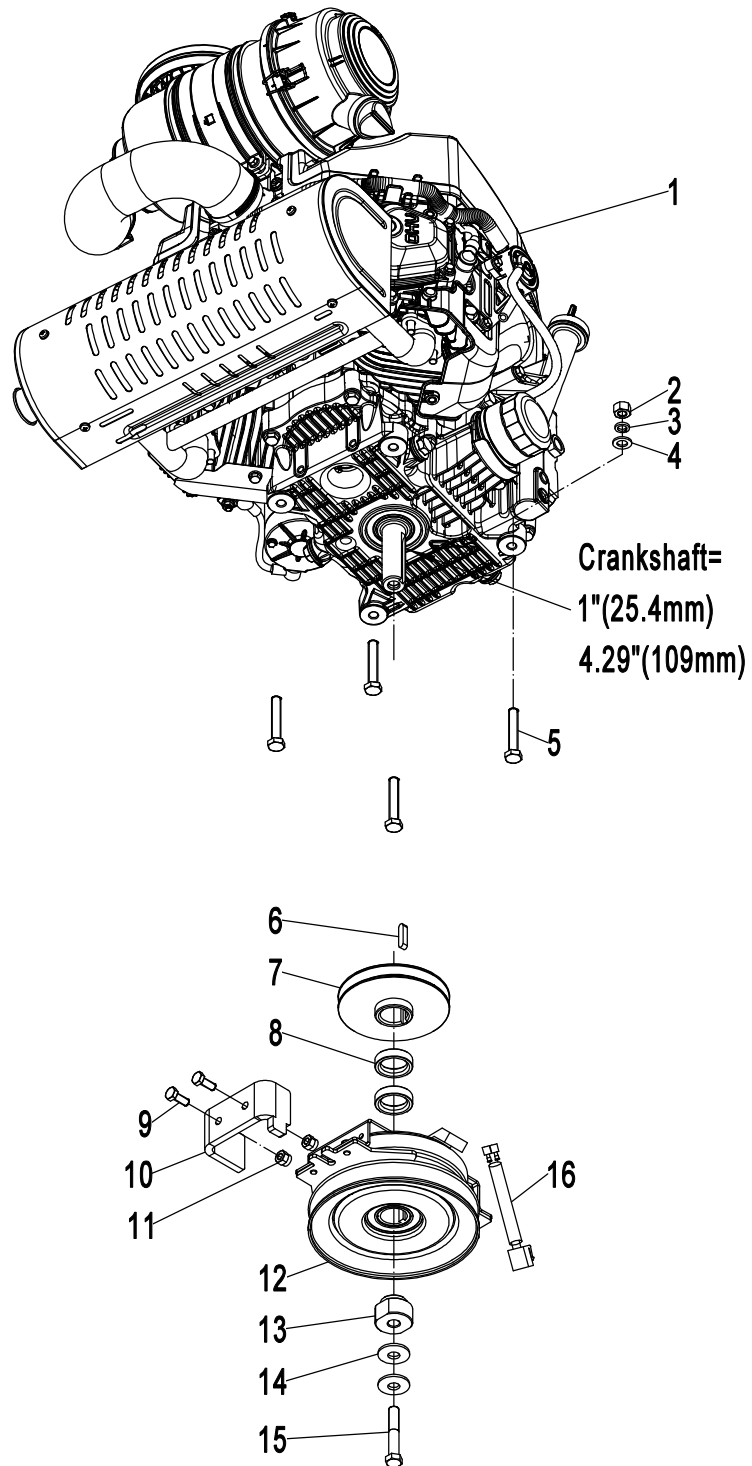
Item No.	Part No.	Name	Description	Oty.	Others
1	7121601	Joint Bearing/Rod End	M16	3	
2	7141203	Snap Ring	Φ12	3	
3	7021607	Hex Nut	M16	3	
4	4020810	Radius Arm Assembly		2	
5	7020821	Hex Lock Nut	M8	2	
6	4181260	Lock Pin -Roller		2	
7	7010888	Hex Bolt	M8×20	2	
8	7011019	Hex Bolt	M10×35	4	
9	4046070	Rod, Deck Lift		2	
10	7021004	Hex Lock Nut	M10	13	
11	4151750	Lift Bearing Lower Plate		2	
12	4310210	Lift Bearing Block		4	
13	4058240	Lift Lever		1	
14	4046050	Trunnion		4	
15	4046040	Spacer		4	
16	7021201	Hex Nut	M12	4	
17	7021204	Hex Lock Nut	M12	4	
18	7130202	R Pin		4	
19	7030819	Washer	Φ8	4	
20	2020460	Gas Spring		2	
21	7130804	Pin	B8×40×2×36.5	2	
22	4046090	Slide, Height Adjustment		1	
23	7031009	Washer	Φ10	5	
24	7011075	Hex Bolt	M10×130	4	
25	7241054	Hex Flange Bolt	M10×55	4	
26	4058270	Pendulum link		2	
27	4046060	Rod, Deck Lift		2	
28	7320020	Grease Zerk	M8×1	2	
29	7121800	Self-lubricating bearing		4	
30	4058260	Deck Rocker LH		1	
31	4058250	Deck Rocker RH		1	
32	4046080	Grip, Deck Latch		1	
33	7011080	Hex Bolt	M10×110	1	
34	4046100	Pin		1	
35	1035104	Ring Bolt		1	
36	4170165	Wire Rope	1.5-270	1	

SEAT ASSEMBLY



SEAT ASSEMBLY

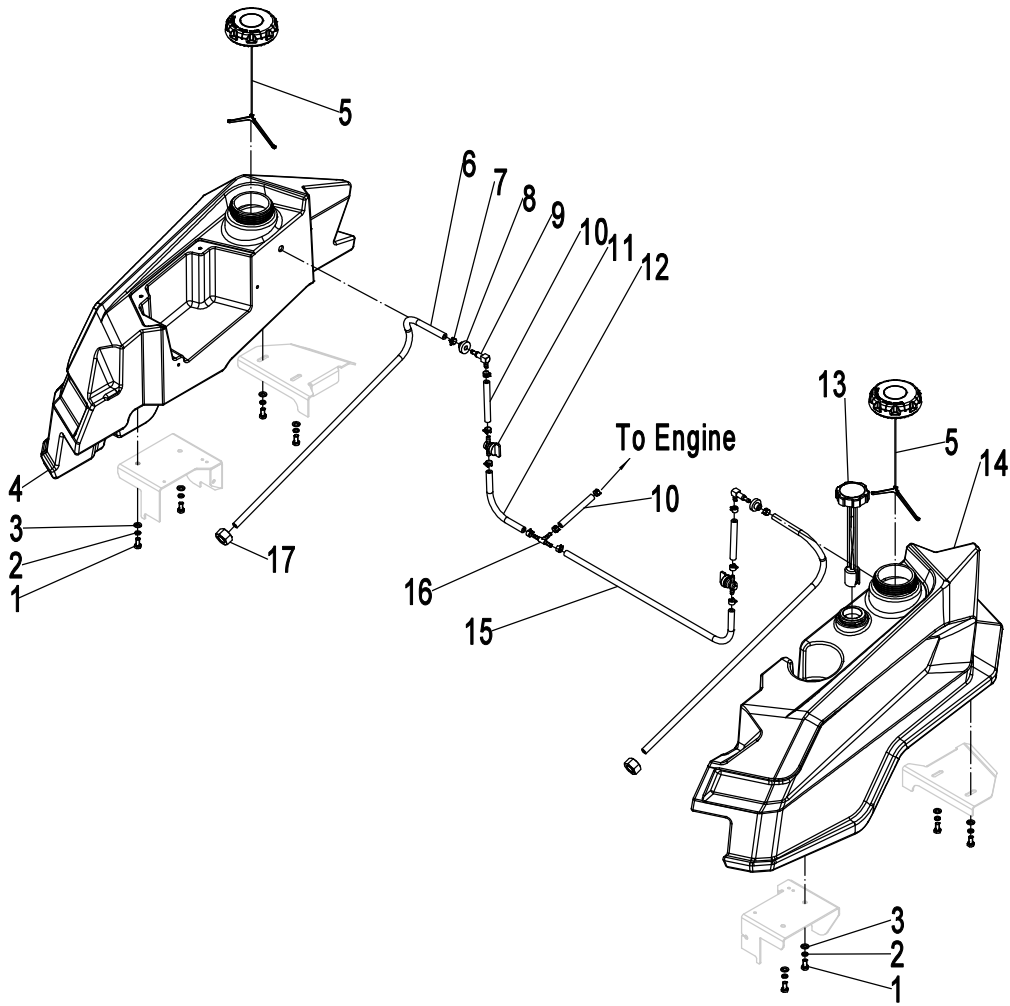
Item No.	Part No.	Name	Description	Oty.	Others
1	7010894	Hex Flange Bolt	M8×16	6	
2	4063115	Front Plate		1	
3	7020820	Speed Nut	M8	4	
4	7020821	Hex Lock Nut	M8	7	
5	7180817	Carriage Bolt	M8×16	4	
6	4138880	Seat Bottom Front Fender		1	
7	4063125	Side Baffle		2	
8	7059380	Seat Spring		3	
9	7010820	Hex Flange Bolt	M8×20	3	
10	7181620	Pivot Bolt		2	
11	7021004	Hex Lock Nut	M10	2	
12	7031009	Washer	Φ10	2	
13	4138890	Seat Plate		1	
14	7020015A	Hex Lock Nut	5/16-18	4	
15	7030819	Washer	Φ8	4	
16	5080070	Seat		1	



ENGINE ASSEMBLY

Item No.	Part No.	Name	Description	Oty.	Others
1	2500750	ZONGSHEN XP750		1	
2	7021012	Hex Nut	M10	4	
3	7041002	Lock Washer	Φ10	4	
4	7031009	Washer	Φ10	4	
5	7011063	Hex Bolt	M10×45	4	
6	7110608A	Key	6.35×6.35×30	1	
7	1047114	B138-25.4 Pulley		1	
8	7083471	Spacer		2	
9	7180818	Hex Bolt	M8×25	2	
10	4221320	Clutch stop		1	
11	7020803	Hex Lock Nut	M8	2	
12	7101440	Electromagnetic PTO Clutch		1	
13	4124420	Clutch Sleeve		1	
14	4071060	Clutch Plate		2	
15	7010140A	Inch Bolt	7/16-20×2 1/2	1	
16	9054890	Transfer Harness		1	

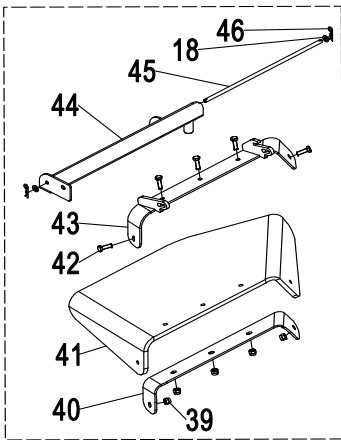
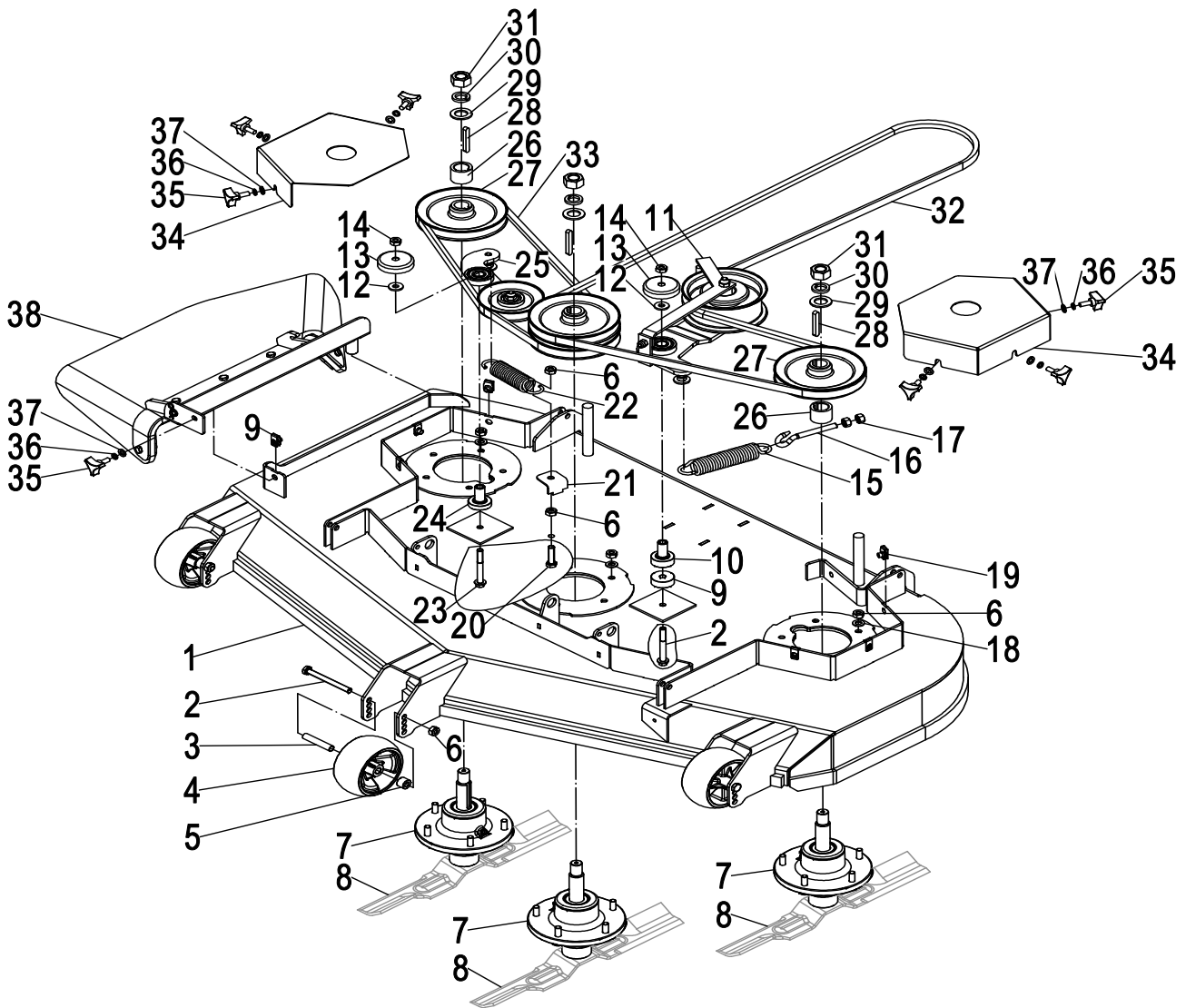
FUEL ASSEMBLY



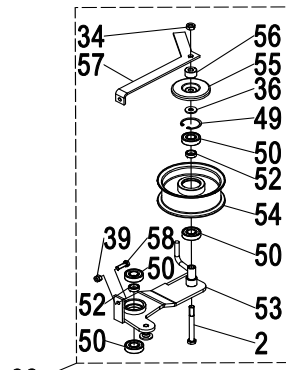
FUEL ASSEMBLY

Item No.	Part No.	Name	Description	Oty.	Others
1	7010847	Hex Bolt	M8×16	4	
2	7040802	Lock Washer	Φ8	4	
3	7030819	Washer	Φ8	4	
4	2082240	Fuel Tank, RH		1	
5	2081030	EPA Fuel Cap		2	
6	2118240	1/4"Fuel Line		2	
7	7150170	Hose Clamp-Spring		12	
8	7083440	Bushing-Fuel Tube		2	
9	2128020	Suction Elbow		2	
10	2118270	1/4"Fuel Line		1	
11	9010670	Valve, Fuel Shut-Off		2	
12	2118260	1/4"Fuel Line		2	
13	9101160	Fuel Gauge		1	
14	2082250	Fuel Tank, LH		1	
15	2118250	1/4"Fuel Line		2	
16	2128030	Tee,Union		1	
17	7022004	Hex Nut	M20×1.5	2	

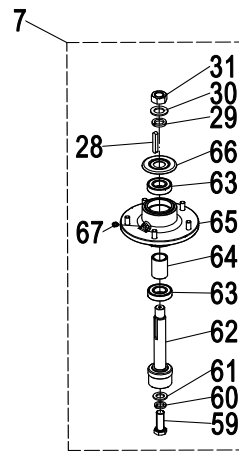
52" & 60" MOWER DECKS ASSEMBLY



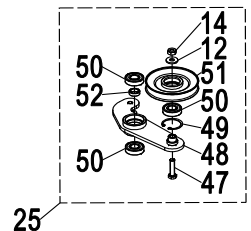
38



32



7



25

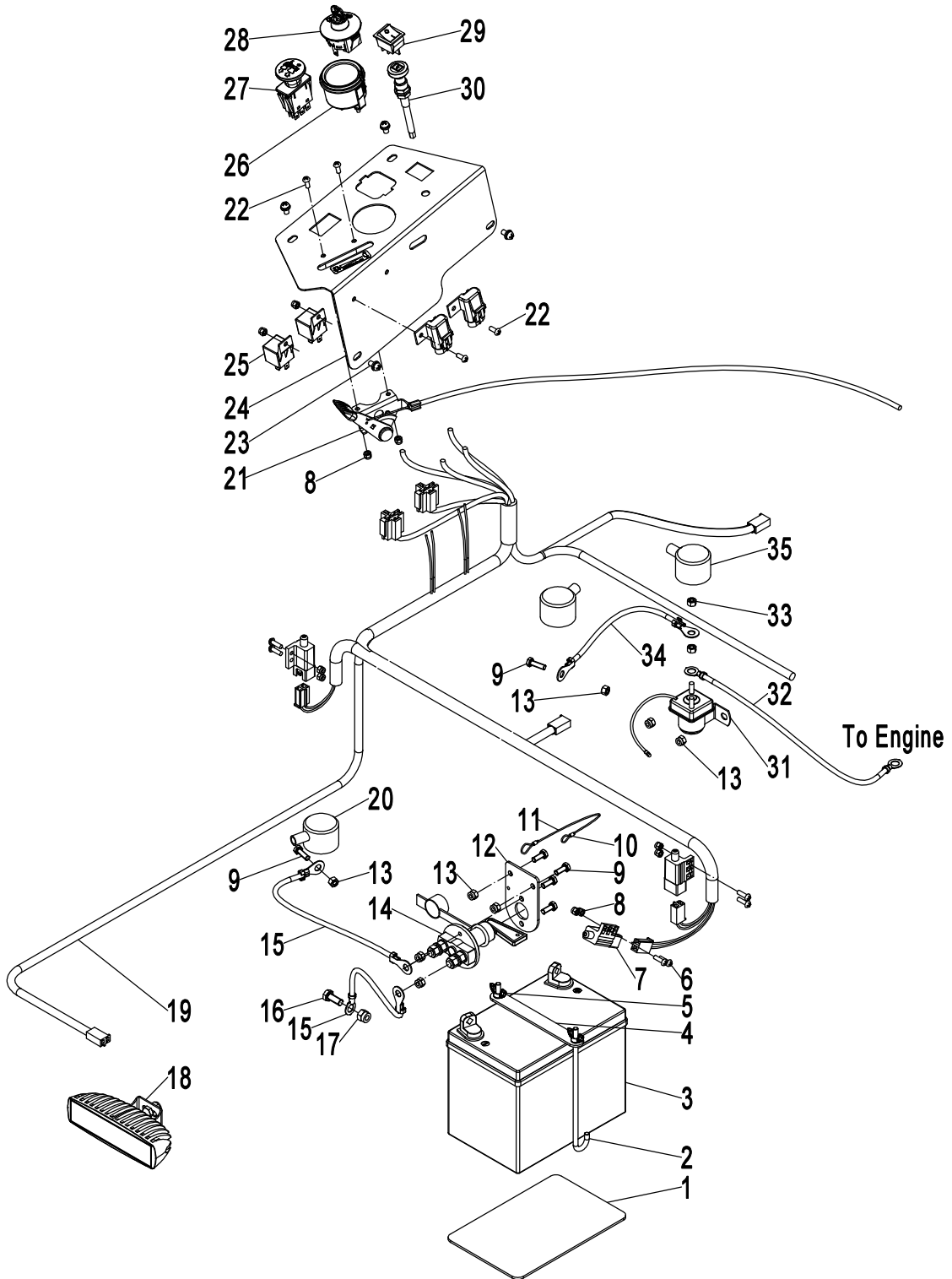
52" & 60" MOWER DECKS ASSEMBLY

Item No.	Part No.	Name	Description	Qty.	Others
1	4242020	52" Mower Deck		1	
2	7011151	Hex Bolt	M10×100	6	
3	4240585	Spacer		4	
4	8011800	Anti-scalp Roller		4	
5	4262150-03	Spacer		4	
6	7021013	Hex Lock Nut	M10	21	
7	B500603	Blade Spindle Assembly		3	
8	3010752	460 Blade		3	52"
9	7085440	Spacer		1	
10	1014460	Pivot, Idler		1	
11	B500601	Idler Pulley Assembly		1	
12	7031004	Washer	Φ10	4	
13	4065160	Dust Cap		1	
14	7021039	Hex Lock Nut	M10	10	
15	7059750	Idler Pulley Spring		1	
16	7181005	Hook bolt	M10×70	1	
17	7021015	Hex Nut	M10	2	
18	7031009	Washer	Φ10	15	
19	7020820	Speed Nut	M8	7	
20	7011025	Hex Bolt	M10×40	1	
21	4060595	Anti stripping board		1	
22	7059600	Idler Pulley Spring		1	
23	7011023	Hex Bolt	M10×80	1	
24	1014450	Pivot, Idler		1	
25	B500600	Idler Pulley Assembly		1	
26	4120870	Spacer		2	
27	1042100	Pulley	B157	4	52"
28	7110820	Key	8×7×60	3	
29	7032006	Washer	Φ20	3	
30	7042003	Lock Washer	Φ20	3	
31	7022004	Hex Nut	M20×1.5	3	
32	1051001	Belt Bando B116		1	52"
33	1051660	Belt Bando B55		1	52"
34	4063185	Belt Guard		2	52"
35	4011930	Knob	M8×20	7	
36	7040802	Lock Washer	Φ8	7	
37	7030819	Washer	Φ8	9	
38	B500604	Discharge Rubber Guard Assembly		1	

52"&60" MOWER DECKS ASSEMBLY

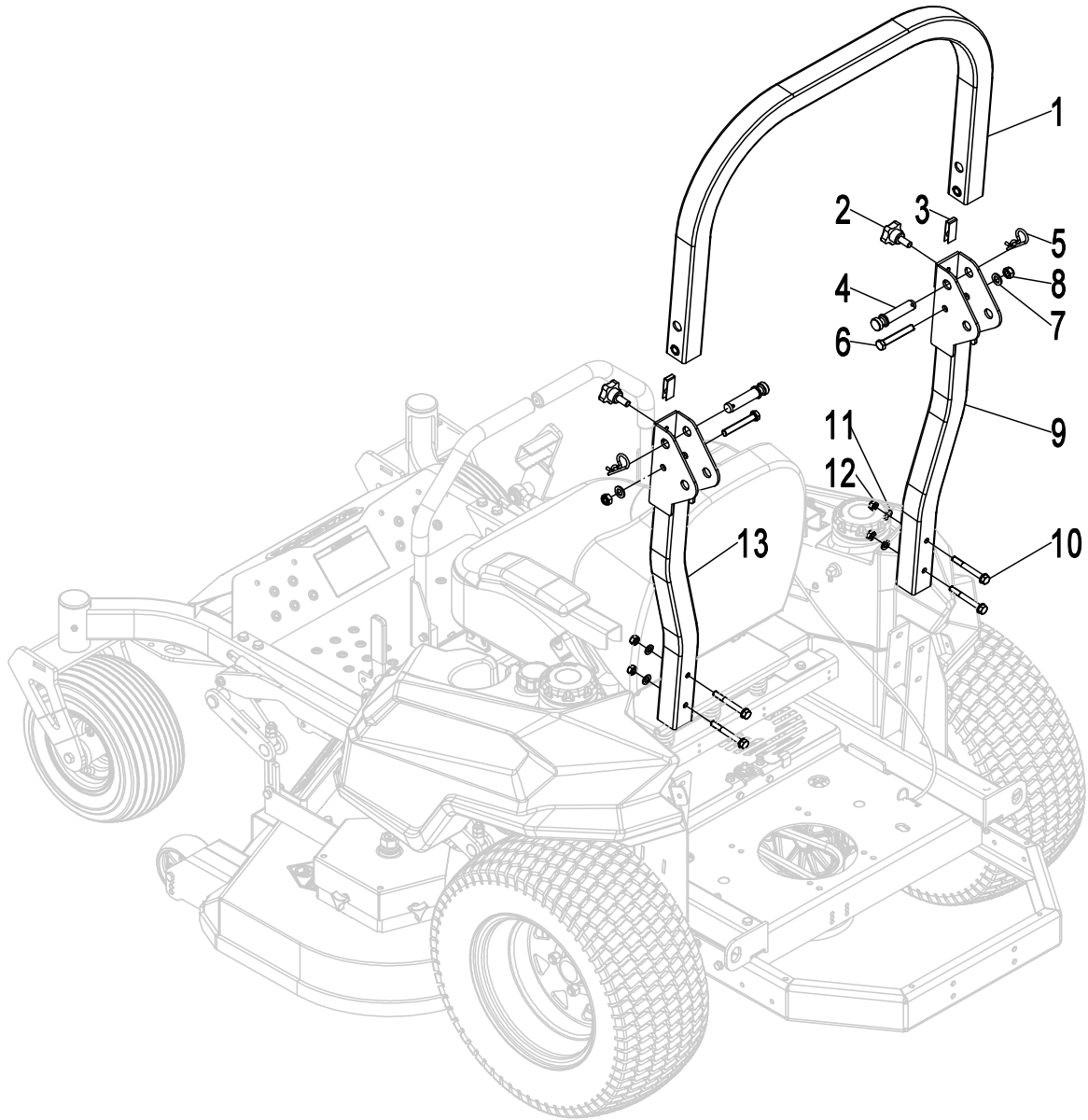
Item No.	Part No.	Name	Description	Qty.	Others
39	7020821	Hex Lock Nut	M8	6	
40	4151730	Mount Plate/Lower		1	
41	4065070	Rubber Guard		1	
42	7010893	Hex Bolt	M8×30	5	
43	4157270	Bending welding		1	
44	4301470	Mount Discharge Shield		1	
45	1014340	Connecting shaft		1	
46	7130202	pin		2	
47	7011063	Hex Bolt	M10×45	1	
48	4046120	Idler Arm		1	
49	7144002	Ring, Retaining Internal	Φ40	2	
50	7061223	Deep groove ball bearing	6203-DDU	7	
51	1047110	Pulley		1	
52	7085380	Spacer		2	
53	4046130	Idler Arm		1	
54	1041715	Idler Wheel		1	
55	4061205	Dust Cover		1	
56	4046140	Spacer		1	
57	4060585	Anti stripping board		1	
58	7010821	Hex Bolt	M8×25	1	
59	7011606	Hex Bolt	M16×1.5×50	3	
60	7041603	Lock Washer	Φ16	3	
61	7031602	Washer	Φ16	3	
62	1014440	Spindle Shaft		3	
63	7061232	Deep groove ball bearing	6205-DDU	6	
64	4123960	Spacer		1	
65	4070590	Spindle Housing		3	
66	4065201	Bearing Shield		3	
67	7320020	Grease Zerk	M8×1	3	

ELECTRICAL ASSEMBLY



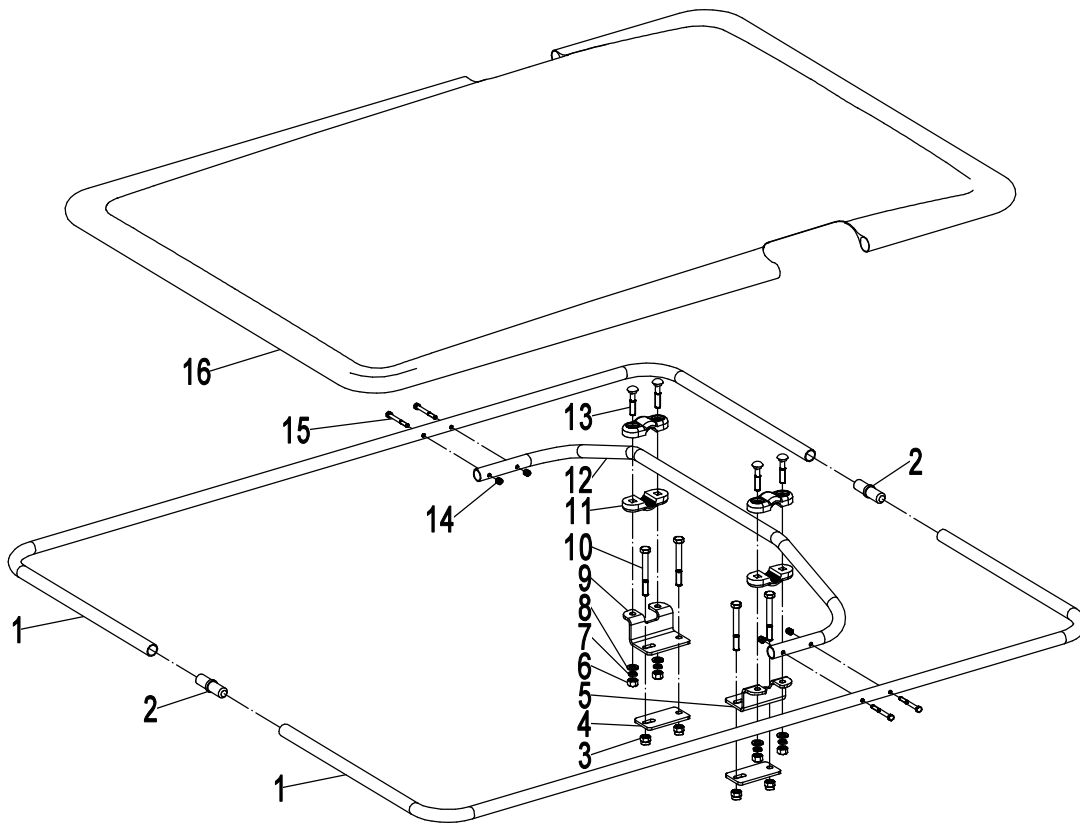
ELECTRICAL ASSEMBLY

Item No.	Part No.	Name	Description	Oty.	Others
1	5041160	Battery cushion		1	
2	4181281	Battery Hold Down Strap Rod		2	
3	9070330	Battery		1	
4	4152270	Battery Hold Down Plate		1	
5	7020606	Wing Nut		2	
6	7260531	Cross Recess Head Screw	M5×16	6	
7	9010495	Interlock Switch		3	
8	7020505	Hex Lock Nut	M5	10	
9	7010662	Hex Bolt	M6×16	6	
10	7084410	Oval Aluminum Sleeve		2	
11	4170165	Wire Rope		1	
12	9160191	Switch Bracket		1	
13	7020602	Hex Lock Nut	M6	8	
14	9210450	Wire Rope		1	
15	9053181	Battery negative wire harness		2	
16	7010894	Hex Flange Bolt	M8×16	1	
17	7020821	Hex Lock Nut	M8	1	
18	9210360	LED Light		1	
19	9055150	Main Harness		1	
20	9121752	Cathode Protective Cap		1	
21	5073170	Throttle Box		1	
22	7260507	Cross Recess Head Screw	M5×12	4	
23	7260602	Hex Bolt	M6×12	4	
24	9160190	Console		1	
25	9021001	Relay		2	
26	9100669	Electric Change and Hour		1	
27	9010548	PTO Clutch Switch		1	
28	E72919-1	Ignition Switch		1	
29	9210430	Switch		1	
30	5072330	Choke Control		1	
31	9020280	Starting Relay		1	
32	9053191	Starting harness		1	
33	7020604	Hex Nut	M6	2	
34	9053171	Battery positive wire harness		1	
35	9121751	Cathode Protective Cap		3	



ROPS ASSEMBLY

Item No.	Part No.	Name	Description	Oty.	Others
1	4260841	U-Shape Bar		1	
2	5013230	Knob	M12×25	2	
3	4162520	Springle Cushion		2	
4	7133220	Lock Pin		2	
5	7133130	R Pin		2	
6	7011301	Hex Bolt	M12×80	2	
7	7031221	Washer	Φ12	2	
8	7021204	Hex Lock Nut	M12	2	
9	4039620	Right Arm		1	
10	7011064	Hex Bolt	M10×80	4	
11	7031009	Washer	Φ10	4	
12	7021004	Hex Lock Nut	M10	4	
13	4039610	Left Arm		1	



Item No.	Part No.	Name	Description	Oty.	Others
1	4271510	Support Tube I		2	
2	4310300	Support Tube I		2	
3	7020821	Lock Nut	M8	4	
4	4151660	Clamp Plate		2	
5	4301210	L-Connecting Plate		1	
6	7020804	Hex Nut	M8	4	
7	7040802	Lock Washer	Φ8	4	
8	7030819	Washer	Φ8	4	
9	4301200	R-Connecting Plate		1	
10	7010880	Hex Bolt	M8×70	4	
11	4162540	Clamp Bolck		4	
12	4271520	Support Tube II		1	
13	7180813	Cup Head Square Neck Bolt	M8×40	4	
14	7020505	Lock Nut	M5	4	
15	7260515	Cross Recess Head Screw	M5×40	4	
16	4065620	Cover Fabric Grey		1	

ELECTRICAL DIAGRAM

